

030-0185  
Stamped Steel  
Two Point Paddle Handle



This compartment latch was designed for light to medium duty storage and compartment doors. Available in buffed stainless steel or plated mild steel, this product features a two point bellcrank for remote actuation and is power lockable.

**DESIGNED FOR:**

- On or off-highway vehicle applications
- Most storage, compartment and access doors with single or two point latch actuation

**Global Locations:**

**TriMark Corporation**  
500 Bailey Avenue  
P.O. Box 350  
New Hampton, Iowa 50659  
United States  
Tel: 641-394-3188  
Fax: 641-394-2392  
1-800-447-0343  
www.trimarkcorp.com

**TriMark Europe**  
Cedar Court  
Walker road  
Bardon Hill  
Coalville LE67 1TU  
United Kingdom  
Tel: +44(0)1530 512460  
Fax: +44(0)1530 512461  
www.trimarkeu.com

**TriMark (Xuzhou)**  
Building A5 Jingwu Road  
Xuzhou Economic  
Development Zone  
Xuzhou, Jiangsu  
221004 PR China  
Tel: +86 516 8773 0018  
Fax: +86 516 8773 0058  
www.trimarkcn.com



TriMark. Interactive. Product. Selector



TriMark



TriMark Corporation

### AVAILABLE:

- In locking or non-locking configurations
- Keyed alike
- Keyed random. 50 key codes available
- Optional gasket for flange of housing is available to provide resistance to water and dirt infiltration
- Power lock actuation

### MATERIAL:

- Housing and paddle: 300 series stainless steel
- Mild steel also available on housing and paddle
- Stainless steel non-corrosive springs and rivets
- Other components: zinc plated, mild steel

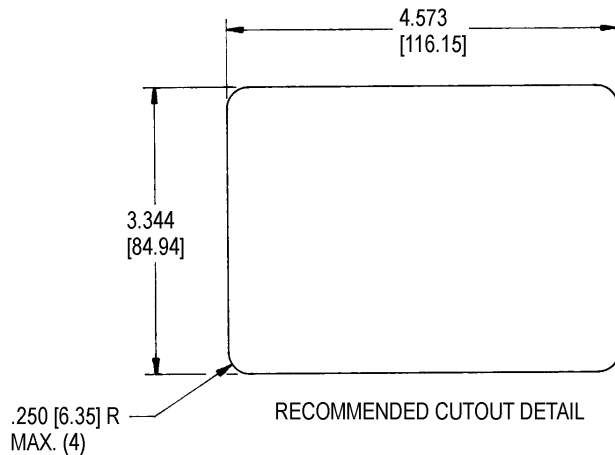
### FINISH:

- Buffed and polished stainless steel
- Zinc plate and clear chromate conversion coat over mild steel for maximum paint adhesion and resistance to rust

### INSTALLATION:

- 3/16" (4mm) diameter fasteners
- Blind mount option available

Individual part dimensions are for reference only. Refer to individual part drawings for complete dimensions, specifications, and installation procedures. Engineering assistance and application drawings are available.



For more information visit  
[www.trimarkcorp.com](http://www.trimarkcorp.com)

